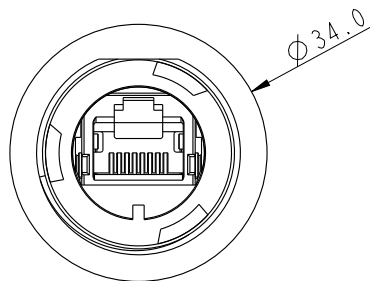
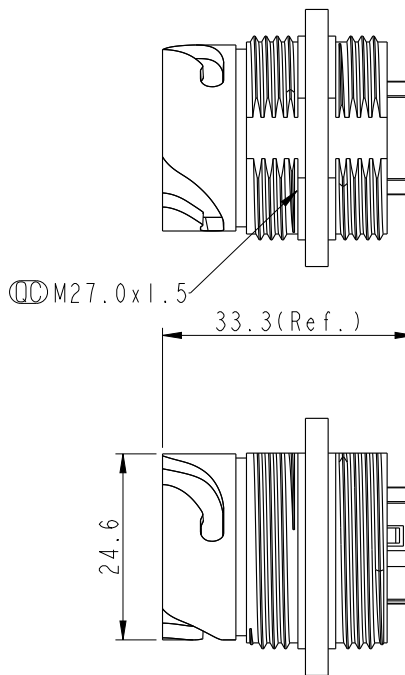
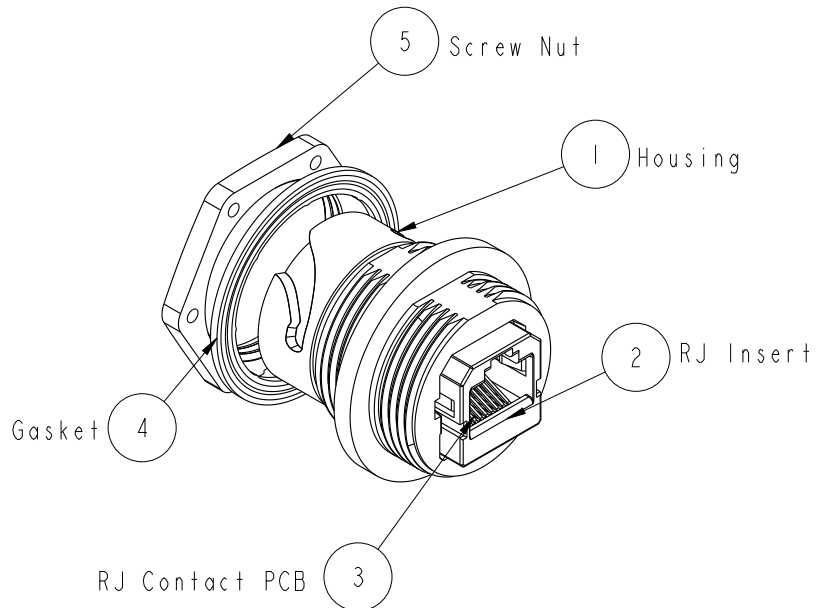
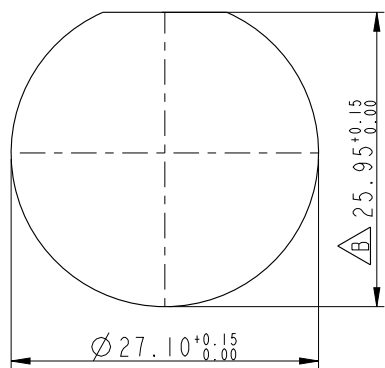


REV.	ECN NO.	DATE	SIGN	DESCRIPTION
B	LEN1370006	2013/07/06	Cary	Change Note & Panel Cut-out



Recommended Panel Cut-out



Note:

- \*  $\text{⌀}$  Important Dimension
- \* Waterproof Rate : IP67 (Mated Waterproof)
- \* Housing : Nylon+GF, BLACK
- \* RJ45 Jack : Cat 5e, Shield
- \* Gasket : Silicone, UL 94V-0, Gray.
- \* Screw Nut : Nylon+GF, BLACK
- \* Contact: Phosphor Bronze, Gold Flash Over Nickel
- $\triangle B$  \* Screw torsion value range: 8~15kgf-cm
- $\triangle B$  \* Temperature Range: -40°C to 105°C
- $\triangle B$  \* All Parts Should Meet RoHS Compliant.

UNIT : mm	$\text{⌀}$	$\text{⌀}$
TOLERANCE		
.X	$\pm 0.25$	
.XX	$\pm 0.1$	
.XXX	$\pm 0.05$	
ANGLES	$\pm 1^\circ$	

TITLE RJ45 ODVA, PANEL, DOUBLE LOCK			
SCALE 1:1	SIZE A4	SHEET 1 OF 1	
REV. B	WC-REV. B.1	$\text{⌀}$ : Inspection item	

**Amphenol LTW**  
安費諾亮泰企業股份有限公司

ITEM NO. ROP-5SDFFH-TCM7001	DRAWN BY Cary_liu	DATE 2013-07-06
DWG NO. ROP-5SDFFH-TCM7001	CHECKED BY Laurence_zang	DATE 2013-07-06
CUSTOMER ALTW	APPROVED BY Victor	DATE 2013-07-06

THIS DOCUMENT IS SUBJECT TO CHANGE WITHOUT NOTICE. IT IS CONFIDENTIAL AND A PROPERTY OF Amphenol LTW. DISCLOSURE TO THIRD PARTY HAS TO BE AUTHORIZED BY Amphenol LTW.